

TSUN Micro Inverter



TSOL-M350/M400



Maximized Efficiency

- Individual optimization, se-parate dedicated MPPT for
- New topology design, max.

Flexibility

- Suitable for TSOL-ESK series AC module solution.
- Plug & play installation, Easy to install.

Safety

- Max. DC voltage 60V. No threat for high DC voltage.
- Integrated LoM protection function. Ensure the safety

Reliability

- Die casting design and glue filling technology. Better thermal dissipation.
- Standard 12 years warranty, Quality guaranteed.

CE VDE 0126 VDE 4105 EN 50549 INMETRO RD 1699 G 98



TSUNESS Co., Ltd

E-mail: sales@tsun-ess.com

Web: www.tsun-ess.com

Tel: +86-512-6618 6028

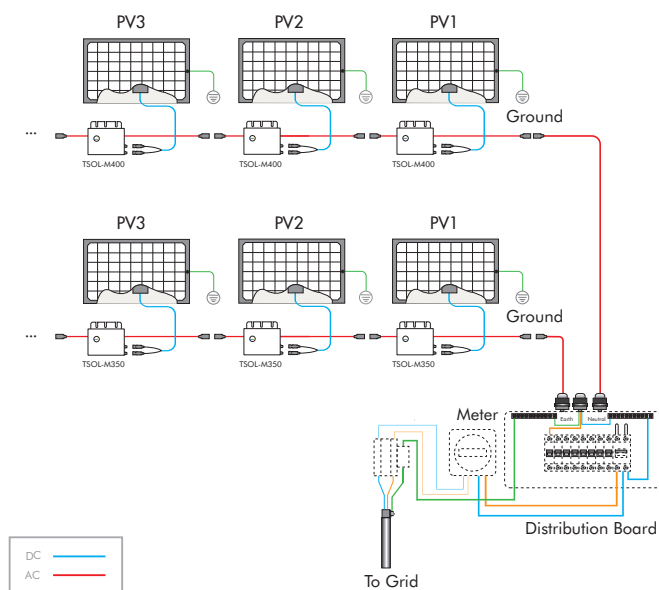
Add: Chuangye Road, Dayun Town, Jiashan County, Zhejiang Province, China

Technical Data

Model	TSOL-M350	TSOL-M400
Input(DC)		
Recommended Input Power [W]	240-380	280-440
MPPT Voltage Range [V]	32-48	33-48
Operating Voltage Range [V]	16-60	16-60
Max. Input Voltage [V]	60	60
Max. Input Current [A]	10.5	11.5
Max. Input Short Circuit Current[A]	15	15
Output [AC]		
Max. Continuous Output Power [W]	300	350
Nominal Output Current [A]	1.3	1.52
Max. Output Current [A]	1.45	1.59
Nominal Output Voltage / Range [V] *	230, L/N/PE , 207-253V	
Nominal Frequency / Range [Hz] *	50, 45-55Hz	
Power Factor	0.8 leading ... 0.8 lagging	
Output Current Harmonic Distortion	< 3%	
Max. Units Per Branch	18	16
Efficiency		
Peak Conversion Efficiency	96.6%	
CEC Weighted Efficiency	96.5%	
Nominal MPPT Efficiency	99.9%	
EU Efficiency	96.3%	
Night Time Power Consumption [mW]	< 50	
Mechanical Data		
Dimensions (WxHxD) [mm]	178×153×28	
Weight [kg]	1.98	
Type of Enclosure	IP67	
Cooling	Natural Convection	
Environmental Data		
Operating Ambient Temperature Range [°C]	-40°C to 65°C	
Operating Internal Temperature Range [°C]	-40°C to 85°C	
Relative Humidity	0-100 % condensing	
Max. Operating Altitude Without Derating [M]	2000	
Monitor	2.4G RF	

※ The AC voltage and frequency range may vary depending on specific country grid.

Diagram



Ordering Information

Ordering NO.	Model	Description
04.02.01.001	TSOL-M350	Microinverter, output 300W
04.02.01.002	TSOL-M400	Microinverter, output 350W
04.02.02.001	TSOL-MT-F	AC connector, female
04.02.02.002	TSOL-MP-F	Protect cap, female
04.02.02.003	TSOL-MT-T	AC connector, male
04.02.02.004	TSOL-MP-T	Protect cap, male
04.02.02.005	TSOL-MC200-G2	Interconnection cable, 2m

For more information, visit/contact us at www.tsun-ess.com